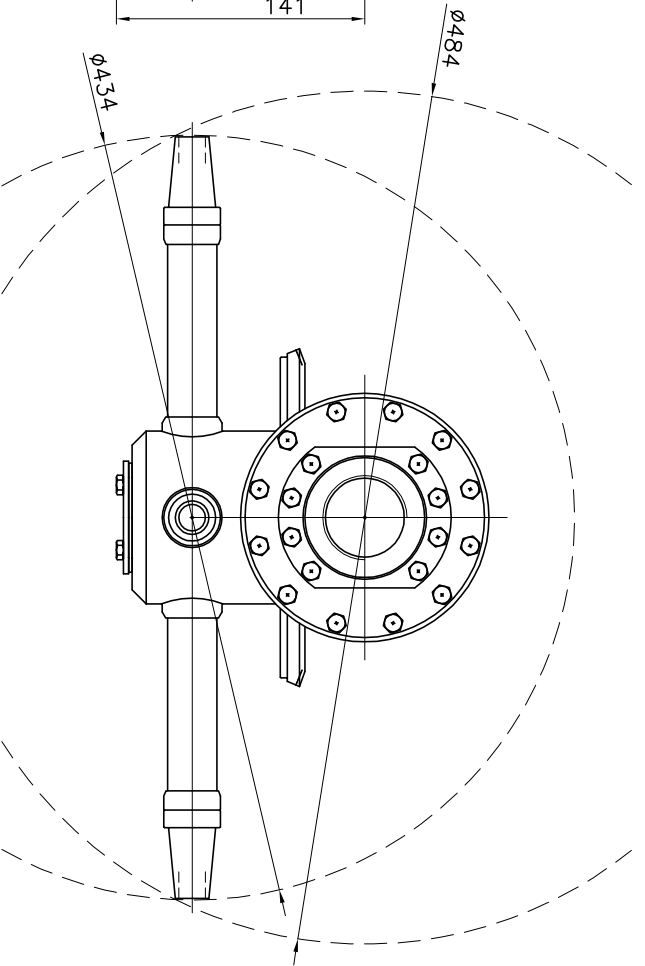
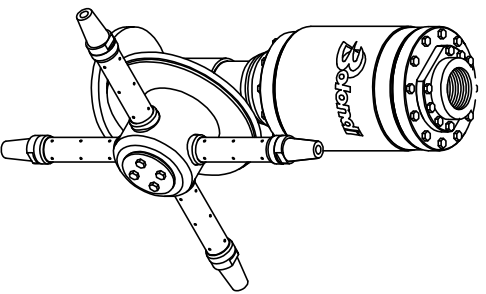
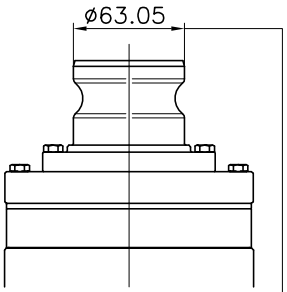


- WATER INLET THREAD OPTIONS
- 2" NPT-F
 - 2" BSPP-F
 - 1.1/2" NPT-F
 - 1.1/2" BSPP-F

WATER INLET OPTION 2" CAM-LOCK (A-A-59326B)



FLOW RANGE	100 to 600 L/min	26 to 160 USgpm
MAX PRESSURE	14 bar	200 psi
NOZZLES POSITIONS	2 - 4	
NOZZLES SIZE	7.5-11-14-15.5 mm	
MATERIAL	INOX AISI 316	
BUSHING MATERIAL	PEEK	
DRIVE	WATER TURBINE	
ROTATION SPEED	5 to 12 rpm	
FULL CYCLE TIME	8 to 19 min.	
CENTER LINE MIN PASS THROUGH HOLE	484 mm	19"
MANUAL MIN PASS THROUGH HOLE	434 mm	17"
MAX OPERATING TEMPERATURE	90°C	194°F
MAX TRACKS PITCH AT 1 m DISTANCE	30.6 mm	
MAX TRACKS PITCH AT 1 yard DISTANCE	1.1 inch	
WEIGHT	9.5 kg.	

RUGOSITA' (UNI 4600)	MODIFICA	1	2	3	4	5
GREZZO	FOGLIO					
~ = ∅	DATA					
SGROSS. ±0.1 ±0.2 ±0.3 ±0.5 ±0.8 ±1.2	TOLLERANZE GENERALI classe m UNI-EN 22768/1					
∇ = 3/2	0-6 6-30 30-120 120-400 400-1000 1000-2000					
∇∇ = 1/6	NOTE: ±0.1 ±0.2 ±0.3 ±0.5 ±0.8 ±1.2					
RETTIFICA 0.9	MATERIALE:					
∇∇∇ = 0.9	DESCRIZIONE: INSTALLATION DRAWING MW 600 A					
	CODICE: MW 600 A					



DISIGN.: CR | CONTR.: DM
 DATA: 30.11.11
 MOD.:
 SCALA: 1.3 | A3 | O