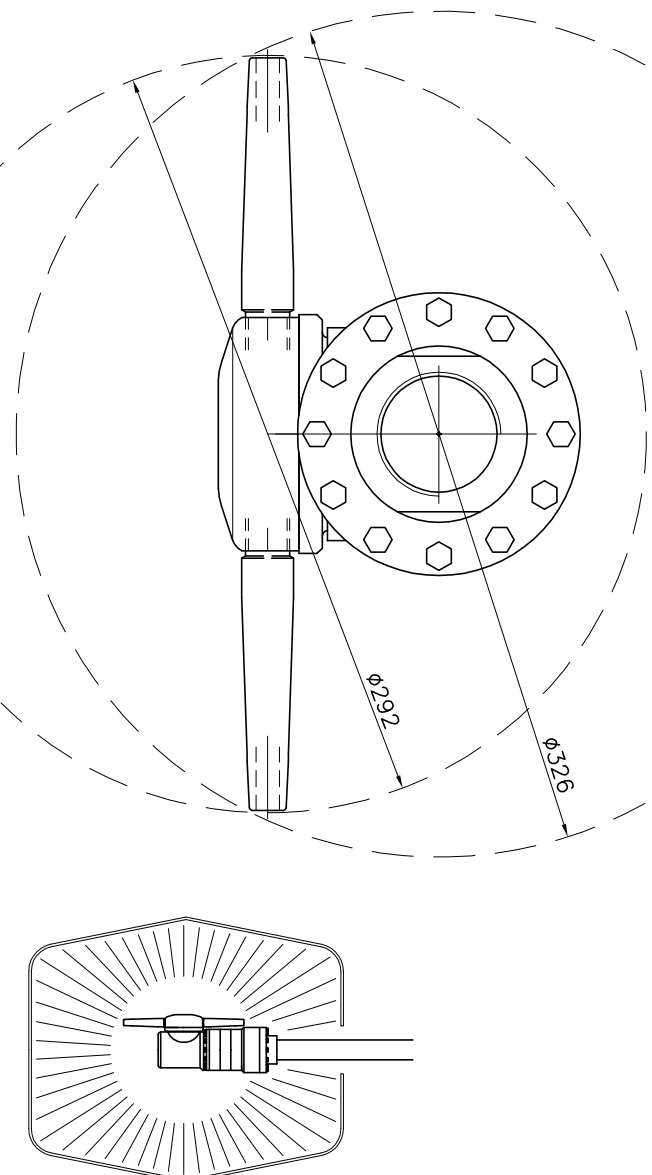
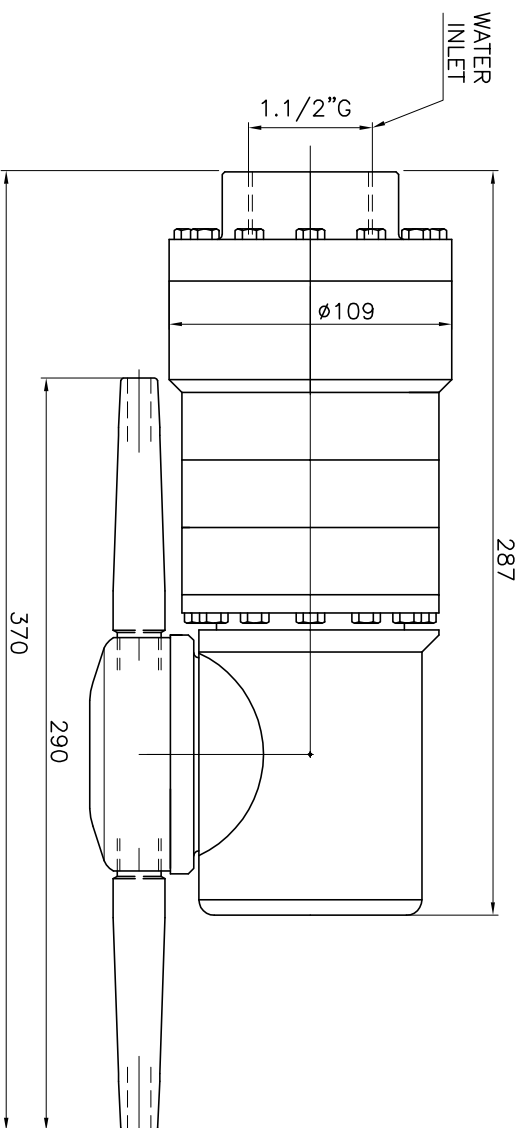


| DIFFUSER OPENING | | | |
|------------------|-----|-------|----------|
| 3 | 3/6 | 3/6/9 | 3/6/9/12 |
| 100 | 9 | 6 | |
| 140 | 12 | 9 | 7 |
| 180 | | 12 | 8 |
| 210 | | 14 | 10 |
| 250 | | | 12 |
| 280 | | | 14 |
| 320 | | | 12 |
| 350 | | | 12 |

TECHNICAL DATA

| | |
|-----------------------------------|--------------------------|
| O.RING | NBR - EPDM - VITON |
| SLIPPER | PTFE+CARBON FIBRE |
| BUSHING | AISI 316 |
| NOZZLES POSITIONS | 2 |
| NOZZLES THREAD | 3/8"G |
| NOZZLES DIA | 7-7.5-8-8.5-9-10-11 |
| TESTING NOZZLES | 2 x 0000 |
| OPERATING FLOW RANGE | 100 - 350 L/min |
| TESTING FLOW | 000 L/min |
| OPERATING PRESSURE RANGE | 5 - 30 bar |
| TESTING PRESSURE | 00 bar |
| CENTER LINE MIN PASS THROUGH HOLE | 326 mm |
| MANUAL MIN PASS THROUGH HOLE | 292 mm |
| MAX OPERATING TEMPERATURE | 90 °C |
| MATERIAL | INOX AISI 316 |
| CONICAL GEARS | FIXED Z=59 ROTATING Z=61 |
| MODULE | 1 |
| DIFFUSER SPEED SETTING OPENINGS | 4 |
| TESTING DIFFUSER OPENING | X/X/X/X |
| ROTATION SPEED | SEE CHART |
| FULL CYCLE | 61 ROTATIONS |
| FULL CYCLE TIME | 6 min AT 10 RPM |
| WEIGHT | 9.6 KG |



| | | | | | | |
|---|--------------|------------------------------|--------|---------|----------|-----------|
| RUGOSITA' (UNI 4600) | MODIFICA | 1 | 2 | 3 | 4 | 5 |
| FOGLIO | XXXX | | | | | |
| GREZZO | DATA | XX.XX.XX | | | | |
| TOLLERANZE GENERALI classe m UNI-EN 22768/1 | | | | | | |
| SGROSS. | 0-6 | 6-30 | 30-120 | 120-400 | 400-1000 | 1000-2000 |
| ∇ = 3/2 | ± 0.1 | ± 0.2 | ± 0.3 | ± 0.5 | ± 0.8 | ± 1.2 |
| NOTE: | | | | | | |
| FINITURA | DESCRIZIONE: | MW 350 A APPLICATION DRAWING | | | | |
| ∇∇ = 1.6/∇ | | | | | | |
| RETTIFICA | | | | | | |
| ∇∇∇ = 0.9/∇ | | | | | | |
| | DESCRIZIONE: | MW 350 A APPLICATION DRAWING | | | | |
| | CODICE: | MW 350 A | | | | |
| | SCALE | 1:3 | | | | |
| | DISIGN.: | CR | | | | |
| | CONTR.: | DM | | | | |
| | DATA: | 30.11.11 | | | | |
| | MOD.: | A3 O | | | | |



MONTECHIO E. (RE) - ITALY

DISIGN.: CR CONTR.: DM

DATA: 30.11.11

SCALE: 1:3

MOD.: A3 O